



Z1320

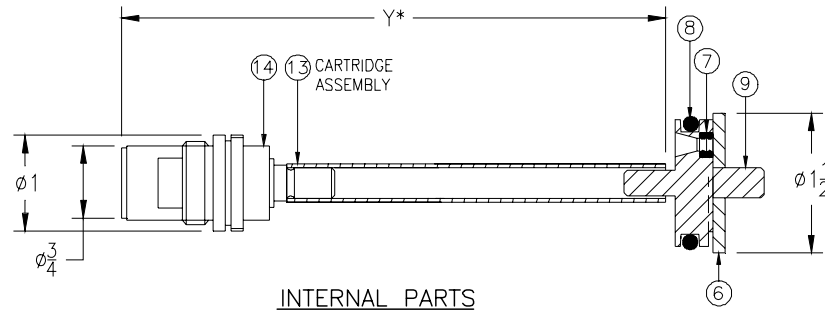
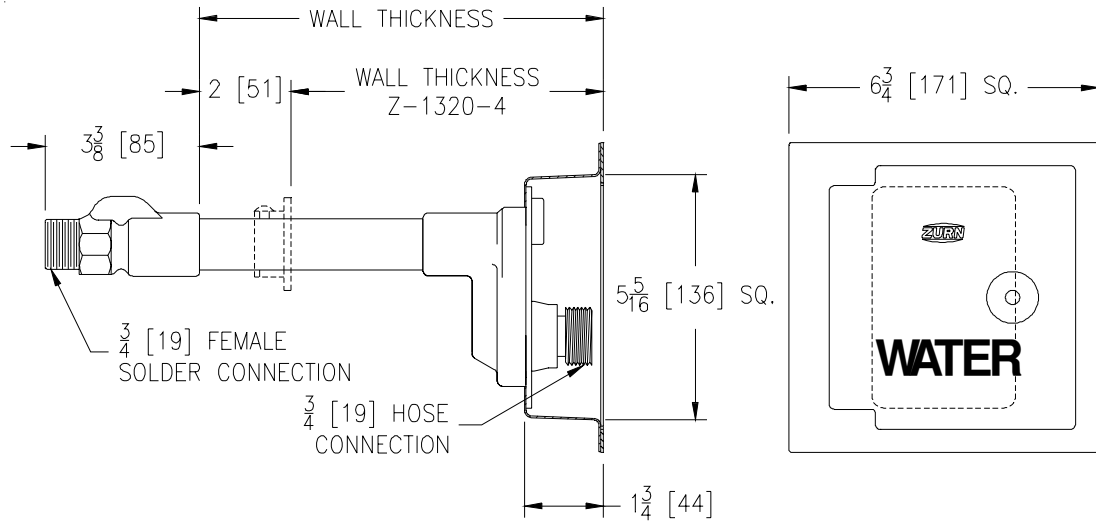
SPECIFICATION SHEET

ECOLOTROL CERAMIC DISC WALL HYDRANT
Encased, Non-Freeze, Anti-Siphon, Automatic Draining

TAG HB-2 EXTERIOR



Dimensional Data (inches and [mm]) are Subject to Manufacturing Tolerances and Change Without Notice



Wall Thickness Inches [mm]	Approx. Wt. Lbs. [kg]
6-8 [152-203]	5 [2]
10-12-14 [254-305-356]	6 [3]
16-18 [406-457]	7 [3]
20-22-24 [508-559-610]	8 [4]
26-30 [660-762]	10 [5]

ENGINEERING SPECIFICATION: ZURN Z1320 Encased Ecolotrol "anti-siphon" automatic draining wall hydrant for flush installation. Complete with copper casing, all bronze interior parts with 1/2 turn ceramic disk cartridge and combination 3/4 [19] female solder and 3/4 [19] male pipe thread inlet. Nickel bronze box and hinged cover with operating key lock and "WATER" stamped on cover. (All solder connections are lead free.)

PARTS LIST

Item	Name	Quan.
14	Cartridge	1
13	Operating Tube	1
9	Operating Coupling	1
8	'O' Ring	1
7	'O' Ring	2
6	Retaining Washer	1

OPTIONS (Check/specify appropriate options)

SUFFIXES

- ___ -CL Cylinder Lock
- ___ -PB Polished Bronze Face
- ___ -RK Hydrant Parts Repair Kit
- ___ -RT12 Ceramic Cartridge Removal Tool (Up to 12 [305] Wall)
- ___ -RT24 Ceramic Cartridge Removal Tool (Up to 24 [610] Wall)
- ___ -RT36 Ceramic Cartridge Removal Tool (Up to 36 [915] Wall)
- ___ -WC Wall Clamp
- ___ -34EL 3/4 [19] IP 90° Solder Inlet Elbow
- ___ -34FIP 3/4 [19] IP Straight Female Inlet Adapter

REV. B	DATE: 03/26/07	C.N. NO. 89845
DWG. NO. 65227	PRODUCT NO. Z1320	

*REGULARLY FURNISHED UNLESS OTHERWISE SPECIFIED